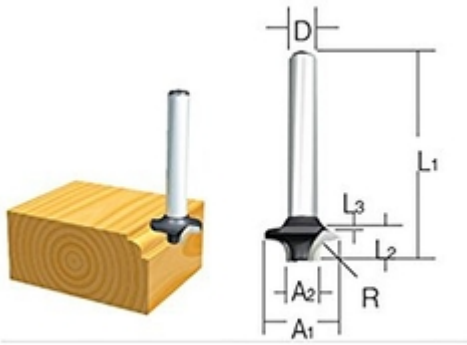


MAKITA FREZA MUCHII ROTUNJITE R8/6MM

Cod comanda: **D-09363**



Descriere produs:

Detalii tehnice:

Detalii produs:

Tip: ROUNDOVER

Diametru prindere (mm): 6

Diametru total (mm): 25

Lungime (mm): 45

Inaltime carbura (mm): 13

Raza 1 (mm): 8

Taisuri: 2

Rotaie maxima (RPM): 24000

Set de livrare: